

# VST-5500-I/MHI

MAN / MERCEDES TRUCK WB 3650 (13T)



**TIME**

# VST-5500-MHI

## SPECIFICATION

## VST-5500-MHI

Working height	19,60 m
Platform height	17,60 m
Max. working outreach	11,50 m*
Max. bucket capacity	2x100 kg
Flyboom	NO
Minimum GVW of the vehicle	13500 kg

\* Depending on vehicle

## STANDARD

- 46 KV insulation
- 2-man fiberglass bucket 24X42
- A-frame outriggers 2 Set
- Aluminium flatbed
- Manual operated jib
- ES: Emergency pump system

## OPTIONS

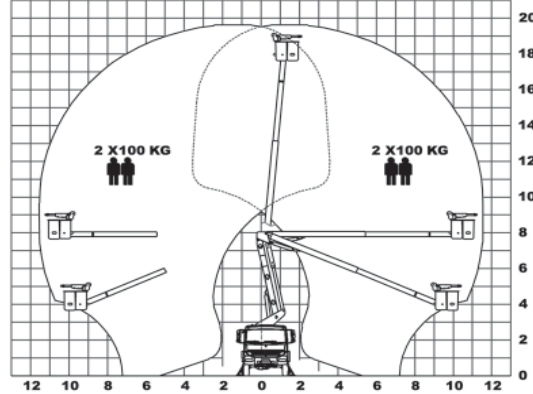
- 69 KV insulation
- Permanent testband
- 2-man bucket liner

## OPTIONS

- 2x1-man fiberglass buckets 24X24
- Radial outriggers Medium duty
- Aluminium toolboxes
- Fiberbody toolboxes
- Fiberbody topboxes
- MHI: Material handling
- Hydraulic operated jib
- Grounding cable
- Protective cover for insulated boomparts
- Conductive holder
- 4 Outrigger footplates w. holder

## NOTE

VST-5500-MHI 69 KV METERS



VST-5500-MHI//MAN/2007-04/EN



EXPORT A/S  
 SØNDERVANG 3 - DK-9640 FARSØ  
 PHONE +45 9863 2433 - FAX +45 9863 2483  
 SALES@TIME-EXPORT.DK - WWW.VERSALIFT.DK

